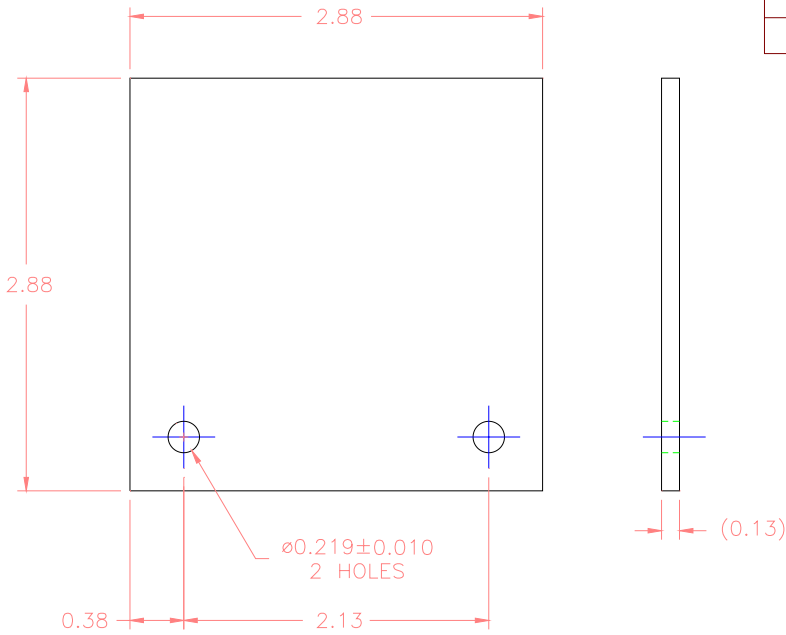


DWG. NUMBER 59007

CHANGE RECORD				
LETTER	DESCRIPTION	DATE	BY	E.C.N.
A	FIRST RELEASE	10/13/04	WJH	29109



1	XC523-5052A-004	0.11#	ALUM SHEET, 1/8", H-32, 1.76#, 48"X120"	
DET	PART NO.	QTY.	DESCRIPTION	
TOLERANCES UNLESS OTHERWISE SPECIFIED MM IN. ± 1.5 ± .060 ANGLES ± 1°		SCALE	HOLLAND EQUIPMENT LIMITED <i>Holland</i>	
THIRD ANGLE PROJECTION		DATE	DESCRIPTION	
		DRAWN BY	COVER PLATE	
THIRD ANGLE PROJECTION		MATERIAL	PART NUMBER	
		BORDER SIZE	XA-59007	
		DIR. LOC.	590	DWG. NUMBER
		A		59007

WEIGHT=0.1 lbs.

THIS DOCUMENT CONTAINS PROPRIETARY CONFIDENTIAL INFORMATION OWNED BY HOLLAND EQUIPMENT LIMITED. THE DOCUMENT AND THE INFORMATION IN IT ARE NOT TO BE USED, DISCLOSED OR REPRODUCED WITHOUT EXPRESS WRITTEN PERMISSION OF THE COMPANY.